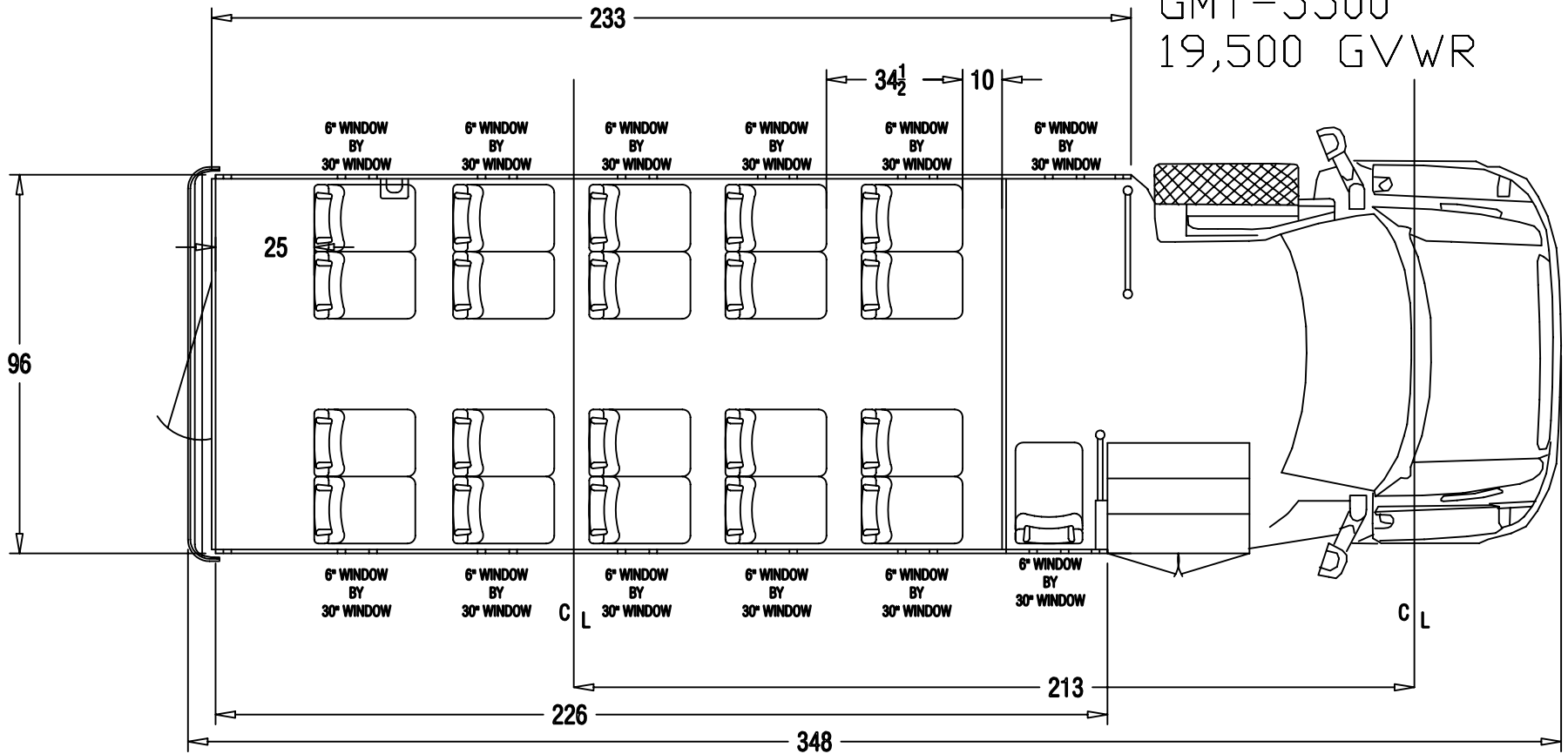
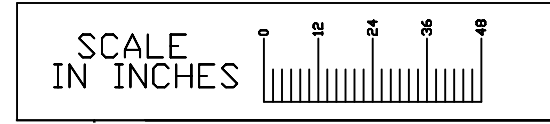


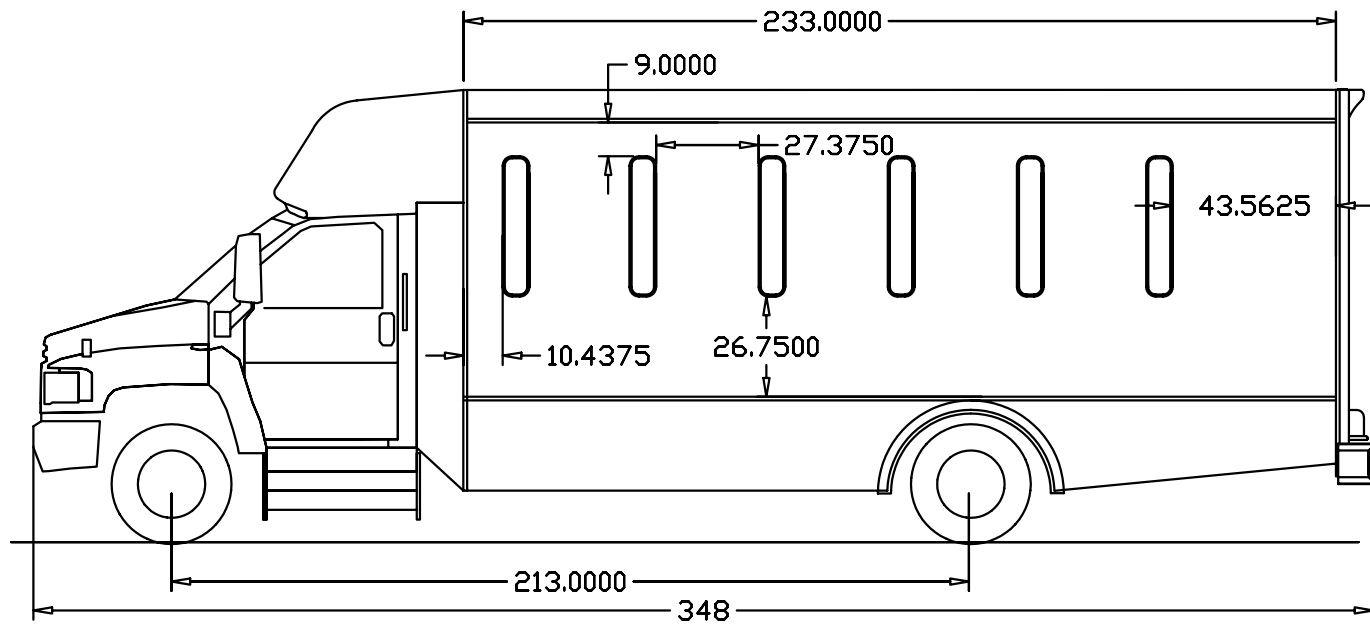
96" WIDE

GMT-5500  
19,500 GVWR



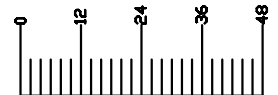
213" W.B.  
19,500 GVW  
29'  
O.A.L. = 348"

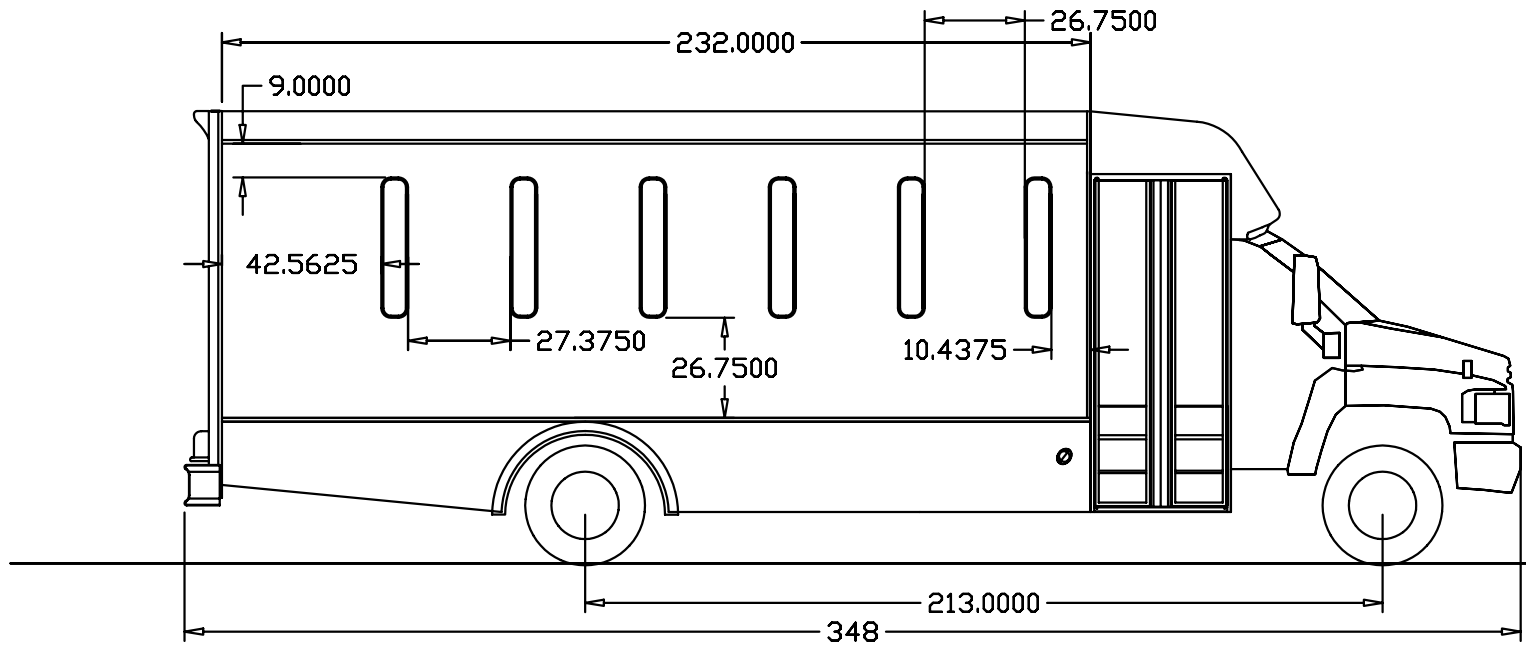




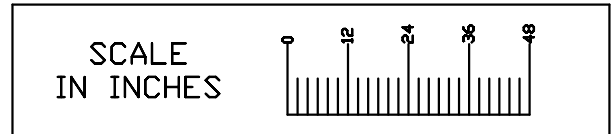
NOTE:  
1. DIM. ARE APPROX.

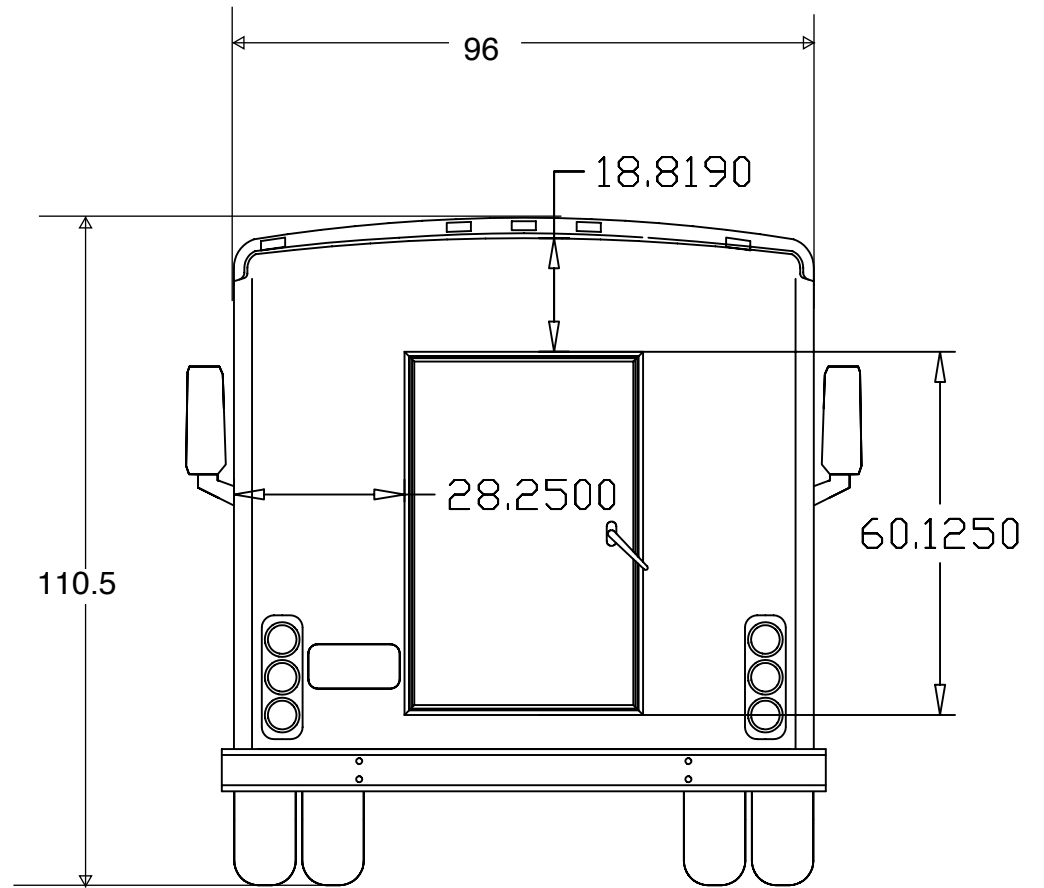
SCALE  
IN INCHES





NOTE:  
 1. DIM. ARE APPROX.





NOTE:  
1. DIM. ARE APPROX.

